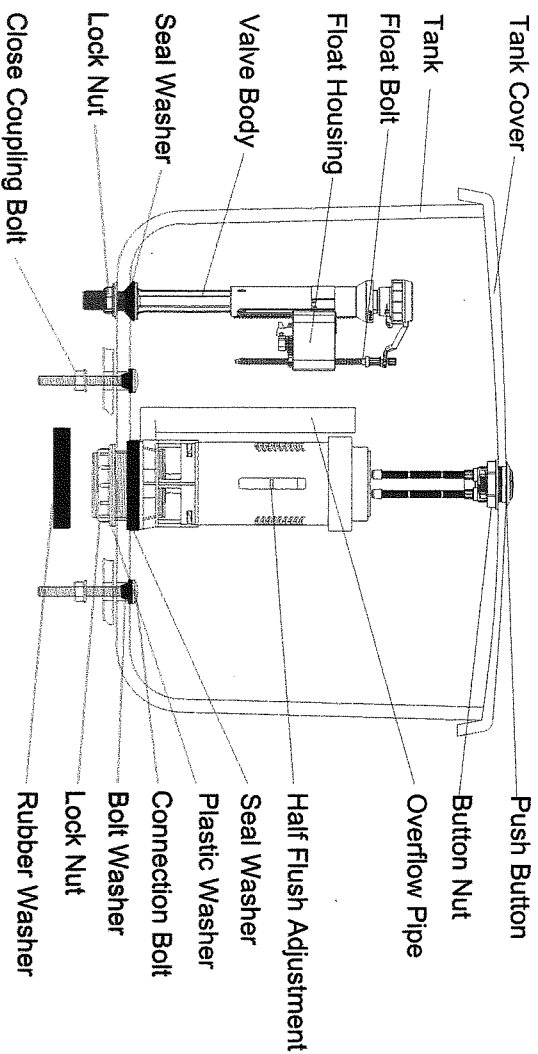


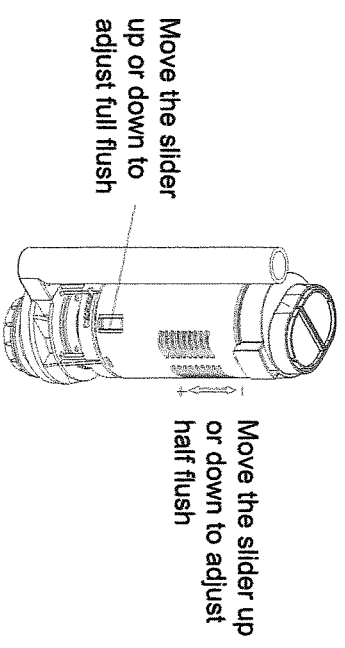
# Installation Instruction

## A122 Fill valve + B218 Dual Flush Valve + C241 Dual Push Button

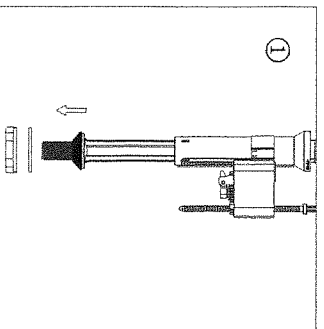


Diagram

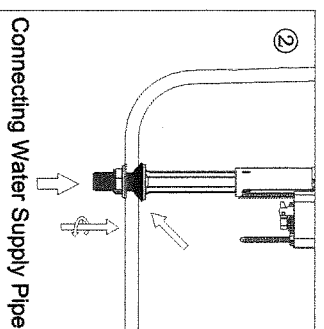
**Important:** Before installation, please remove the old fittings and clean the tank. Please clean the water supply pipe first for newly installed one. Do not use plumber's putty to seal the fittings. Do not use chlorine(bleach) cleaners or related products.



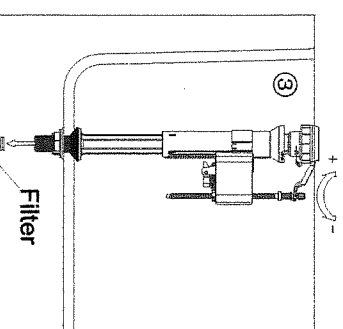
### 1. A122 Fill Valve



Disassemble the Lock Nut and Plastic Washer for valve installation.

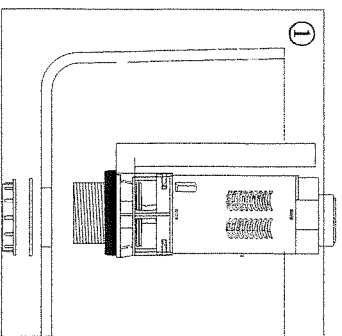


Position VALVE inside tank. Twist the Valve Shank clockwise, and pull the Valve Body to an expected height, and then twist the Valve Shank anticlockwise to fixed it.

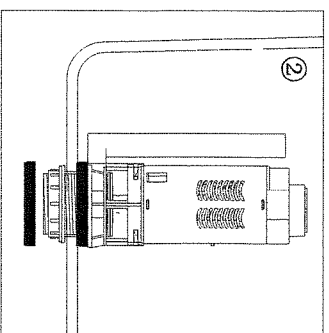


Adjusting water level by screwing Float Bolt, Take out of the Filter and clean it often.

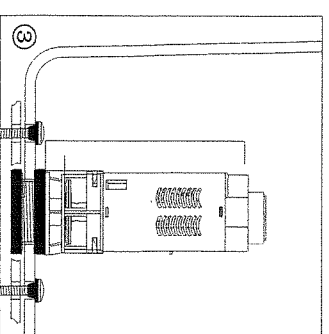
## 2. B218 Dual Flush Valve



Disassemble nut for valve installation, position the valve inside the tank, push down the valve body while tightening the nut.

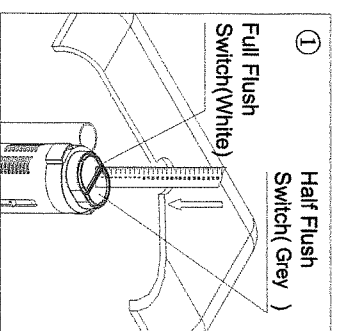


Nest tank to bowl washer on the lock nut.

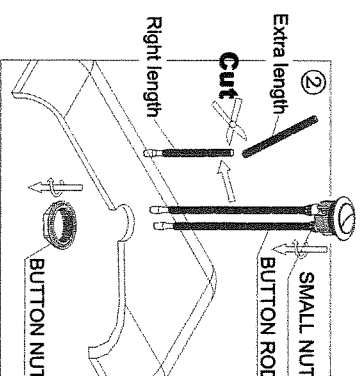


Nest the Tank To Bowl Washer in the Lock Nut and position the TANK on the Toilet Bowl properly. Disassemble the Tank To Bowl Bolts. Fix the Tank to Toilet Bowl with the Tank To Bowl Bolts tightly.

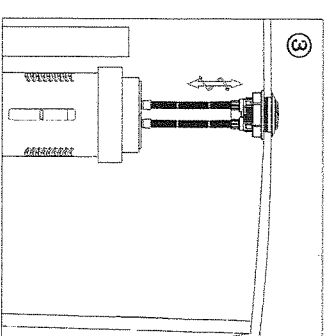
## 3. C241 Dual Push Button



Place the tank cover into tank cistern, the length from surface of tank cover to flush valve switch which is the rod length you needed.



Unscrew small nut and button rod, cut rod in right length as measured, then screw button rod and nut into button.



Loose button nut and install push button into tank cover, screw-in or back out rod for micro-adjustment if needed.

**Note:** Subject to the product if any difference.